

ENTRIES CLOSE OCTOBER 10, 2018 at 6:00 P.M.
after which time entries cannot be accepted, changed, or canceled.
NO DAY OF TEST ENTRIES TAKEN

PREMIUM LIST

GERMAN SHEPHERD DOG CLUB OF AMERICA



Wednesday October 17, 2018 All-Breed Coursing Ability Test
Event # **2018009321** AM test
Wednesday October 17, 2018 All-Breed Coursing Ability Test
Event # **2018009322** PM test
Thursday October 18, 2018 All-Breed Coursing Ability Test
Event # **2018009323** AM test

Three (3) tests in two days
Each will be limited to 60 dogs
No day of test entries

**Entries accepted by first received with
preference given to German Shepherd Dogs**

PURINA FARMS HERDING FIELD
300 Checkerboard Drive
Gray Summit, Missouri 63039

EVENT SECRETARY
Judy McDowell
421 North Stone Street
Centralia, MO 65240



Permission has been granted by the American Kennel Club for the holding of these events under American Kennel Club Rules and Regulations.
GINA M. DINARDO, Executive Secretary

GERMAN SHEPHERD DOG CLUB OF AMERICA

OFFICERS

President – Gary Szymczak
 Vice President – Helen Gleason
 Treasurer – William Pfeiffer
 Recording Secretary – Joan Intersimone
 Corresponding Secretary – Gail Stiefferman
 9500 Rainbow Acres, Dittmer, MO 63023
 636-274-3292 forstknoll@gmail.com
 Delegate to the American Kennel Club
 Dr Carmen Battaglia

Board of Directors of Class of 2018

John Bemont – Ken Cunningham – Mary Gattone – Deborah Stern

Board of Directors of Class of 2019

John Ayote – Lamar Frederick – Erin Nellis – Joy Schultz

COURSING ABILITY TEST COMMITTEE

Gail Stiefferman.....National Event Coordinator

Gail StieffermanCoursing Ability Test Chair
 9500 Rainbow Acres Dittmer MO 63023 636-274-3292

Judy McDowell.....CAT Event Secretary
 421 North Stone Street Centralia MO 65240
 573-682-5774 prairiehome@centurylink.net

Gary Riess.....Lure Operator

Leah Allen
 Jennifer Riess
 Darcy Seeger
 Laura Shearin
 Tracey Smith
 Brenda Steely
 Herman (Butch) Stiefferman

JUDGES

WEDNESDAY AM / THURSDAY AM TRIAL

Joe Stewart 12140 Oak Ridge Drive Rolla MO 65401

WEDNESDAY PM TRIAL

Lisa Stewart 12140 Oak Ridge Drive Rolla MO 65401

ENTRY FEES: \$20.00 per dog per event

**PAYMENT OF ENTRIES US FUNDS ONLY
FAXED ENTRIES AND CREDIT CARDS ARE NOT ACCEPTED
NO DAY OF TEST ENTRIES**

Mail entries to:

Judy McDowell Event Secretary
421 North Stone Street
Centralia, MO 65240
prairiehome@centurylink.net
Phone (573) 682-5774

COURSING ABILITY TEST

The Coursing Ability Test (CAT) is an introductory event fashioned after the sport of lure coursing. It provides a fun and healthy activity attractive to many dog owners. The following is a summary of how the event is structured:

1. Non-competitive pass / fail event fashioned after the sport of lure coursing.
2. Dogs run one at a time.
3. Open to all dogs at least 12 months of age that are registered with the AKC, recorded in the FSS program, with limited or conditional registration; dogs with PAL numbers, or dogs enrolled in the AKC Partners Program. Females in season may not enter. A dog may enter only once per test.
4. Course distance / course design:
 - *** Dogs under 12" at the withers and/or brachycephalic ("flat-faced") dogs = approx. 300 yards
 - *** Dogs over 12" at the withers that are not brachycephalic dogs = approximately 600 yards
 - _ If there is a question whether a dog should run 300 or 600 yards, the judge will decide.
 - _ The course shall be designed with safety for non-sighthound breeds as a primary consideration. There shall be no turns more acute than 90 degrees.
 - _ Safety is of utmost importance. Since many of the dogs running will not be as agile as a sighthound, this must be a consideration in course design.
5. Dogs may wear any type of collar except choker collars, a collar with prongs or an electronic training collar, and nothing may be hanging from the collar.
6. An inspection committee shall inspect each entry for lameness, fitness to compete and females in season.
7. Pass: The dog must complete the course with enthusiasm and without interruption within a stated maximum amount of time. Max time: 600 yards - 2 minutes; 300 yards – 1½ minutes. The maximum time is not meant to be difficult to achieve. It is meant to prevent a dog that "walks" the course from passing.

Complete Regulations governing CAT can be found on AKC's Coursing Ability Test website or Chapter 15 of the Regulations for Lure Coursing.

For more Information: <http://www.akc.org/events/coursing-ability-test/>

HOW TO ENTER

Complete an official AKC entry form for each dog for each test, and mail your entries to the Event Secretary, along with the entry fees before the close of entries. An entry form is located at the end of this premium list.

Each dog may only enter once per test. **Enter early, as no day of test entries will be accepted.**

If your dog becomes lame, sick, or in season prior to the test, do not bring them to the test. Instead, contact the Event Secretary to cancel your entry, and your entry fee will be destroyed or otherwise refunded.

Entries will not be accepted without fees, signatures, or the "Agreement" found on the Official AKC Entry Form.

Follow your veterinarian's recommendations to assure that your dogs are free of parasites and any communicable diseases and have appropriate vaccinations.

****** Rabies Vaccination Certificate *****

**Missouri law requires you to have proof of current rabies vaccination with you.
Tags are not accepted.**

ATTENTION EXHIBITORS

A Recording Fee and Event Fee will be required for each dog entered at any licensed or member club event. These fees are to be collected by the show-giving club and paid to the American Kennel Club

Telegraph, Telephone, and unsigned entries cannot be accepted. Entries not on official AKC Entry Forms, and photocopies of Entry Forms without agreement and rules on the reverse side of the official AKC Entry Forms are not acceptable.

Dogs must be ready for the run. Neither the club nor the event secretary are responsible or obligated to furnish any services for notifying exhibitors or their agents of run time. Judges need not wait for any dog holding up a run. Owners or agents alone are responsible for the presence of their dogs in the paddock.

No entry fees will be refunded in the event of errors or cancellation of entries after entries close nor in the event that a dog is absent, disqualified, excused by a veterinarian or a judge or barred from competition by action of the show committee.

NO REFUNDS FOR DUPLICATE ENTRIES.

No entry fee will be refunded if the event cannot open or be completed by reason of riots, civil disturbances, fires, an act of God, public emergency, Act of Public enemy, strikes or any other cause beyond the control of the Club or the event secretary.

No entry shall be made and no entry shall be accepted which specifies a condition as to its acceptance. Entries will not be accepted without all information an entry filled out, fees and signatures. There will be a \$35.00 Fee for all returned checks.

Management is not responsible for the loss of, damage to, or death of any dog exhibited or not exhibited, or for possessions of any participant, whether the result of accident or any other cause. It is expressly understood that every dog at this event is in the care and custody and control of his owner or handler during the entire time the dog is on the premises.

The German Shepherd Dog Club of America Org., its Show Secretary, Proprietors of this Show Site, their agents, employees, etc., assume no responsibility for any loss, damage, or injury sustained by spectators, exhibitors, handlers, their employees or children, etc., or to any of the dogs or property. Entrants and spectators at the event participate entirely at their own risk.

**TRIAL HOURS ARE 8 am-12 pm FOR MORNING TESTS
INSPECTIONS BEGIN AT 8:00 am FOR MORNING TESTS AND END AT 11:00 am
NO DOGS WILL BE INSPECTED AFTER 11:00 am FOR MORNING TESTS**

**TRIAL HOURS ARE 1 pm-5 pm FOR AFTERNOON TEST
INSPECTIONS AND RUNS FOR THE AFTERNOON TEST BEGIN AT 1:00 pm
AFTERNOON INSPECTIONS END AT 4:00 pm
NO DOGS WILL BE INSPECTED AFTER 4:00 pm FOR AFTERNOON TEST**

***** ALL DOGS MUST BE CHECKED IN, INSPECTED AND CLEARED
TO RUN IN ORDER TO PARTICIPATE *****

For all three trials we will hold an "open" Check in and Inspection period. For the Wednesday AM trial it will be from 8:00 - 11:00 am. The Wednesday PM trial will have check in from 1:00 - 4:00 pm, and on Thursday from 8:00 - 11:00 am again. All dogs **MUST** be checked in and inspected in order to be allowed to run the course. We realize that many people will be entered in other events and we will do our best within reason to make sure that every dog gets to run as long as it does not create a problem for the trial crew or other entered exhibitors. Dogs will be run in the order in which they are checked in and cleared by the Inspection Committee providing it is by the cutoff times listed for each trial. **No dogs will be run after the closing time listed for that trial.** Please have a safe way to contain your dog and provide them with water and shade in case you need to wait a while for your turn to run your dog. It is recommended that you have a buckle or limited slip collar or harness for your dog at these events as most dogs become very excited by the motion of the lure and other dogs and will be lunging and pulling to get on the field. Please be careful and considerate of your dog and the other people and dogs around you.

ROLL CALL & INSPECTION

All dogs must be presented for inspection without tape, bandages, wrapping, or coverings of any kind (e.g., coats and blankets). At least two persons from the Test Committee will inspect each entered dog for lameness, fitness to compete, and female estrus (in season). In their opinion, any entered dog that is found to be lame, unfit to compete, or in season will not be allowed to run. Coursing is an athletic activity that can tax a dog's physical strength. Dogs that are old, have breathing or heart problems, are overweight, or are out of condition may be at greater risk for injury and exhaustion. The entry fee will be refunded for any dog that is not allowed to run by the inspectors. Any dog that fails to present for inspection prior to the close of roll call and inspection will be marked absent. No refund will be given for an absent dog.

PADDOCK

It is the intention of the test committee to begin running courses as soon as roll call and inspection begin. When you are ready to run your dog, bring them to the paddock, the assembly area for dogs that are prepared to run. Dogs may run wearing a close-fitting buckle collar. Choke collars and collars with dangling decoration will not be allowed. Hanging collar tags may be permitted if they are secured tight to the collar, such as by tape. Slip leads can be used if the owner desires. While a course is in progress, the Paddock Master will identify the next available dog based on the order that dogs have passed inspection. If a dog is not present when it is called to run its test, the dog's name will be moved to the end of the running order.

RUNNING THE COURSE

Each dog runs by itself and only one time in each testing event (as identified by event number). They chase lures made of plastic strips that, by string and pulleys, follow a course in a field.

Any entered dog that is less than 12-inches tall at the withers or brachycephalic (i.e., "flat-faced", such as a bulldog) will run a clearly marked 300-yard course, which must be completed in 90 seconds. Any entered dog that is more than 12-inches tall at the withers and not brachycephalic will run a clearly marked 600-yard course, which must be completed in 120 seconds. If there is a question as to which course a dog should run, the Judge will decide. If your dog is 7 years of age or older, you may declare your dog a "veteran" prior to the start of its course. Your dog will be allowed to run two-thirds of the normal distance.

The Huntmaster is responsible for field safety and, therefore, is in complete charge of the dog and handler on the field. In service to this responsibility, the Huntmaster has the authority to stop the lure at any potentially dangerous situation and signal the handler to retrieve their dog.

The handler should retrieve their dog promptly at the end of the course. Listen to the Huntmaster and follow instructions promptly and swiftly.

The Coursing Ability Test (CAT) is a pass/fail test. In order to pass, the dog must chase the plastic lure and complete the course one time, by itself, with enthusiasm and without interruption, within the allotted amount of time. The Judge keeps the official time and decides the merits of the dog's performance. A dog that relieves itself on the course will fail the test.

Any decision made by the event's officiating judge regarding the performance of an entered dog shall be final. Full discretionary power is given to the Judge to withhold a qualification for lack of merit. The Judge is responsible for ensuring compliance with the AKC Regulations on the field.

For the safety of the dog and as a courtesy to other exhibitors, your dog must have a reliable recall. A penalty of \$5.00 may be assessed for any dog causing an excessive delay of the event, because it cannot be recalled or retrieved from the field. Dogs that delay the event because they cannot be recalled may be refused entry at future events.

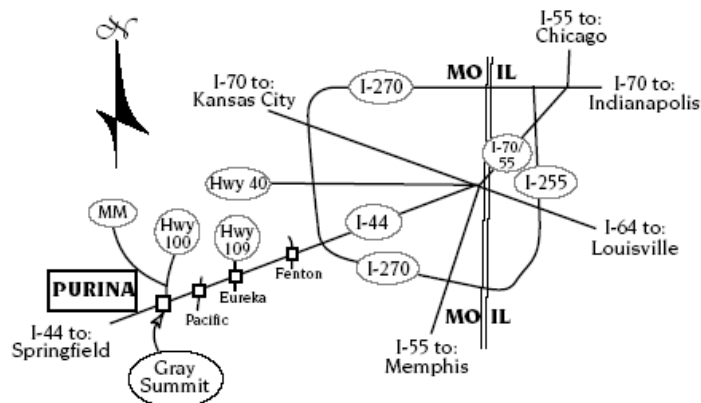
AKC TITLE

A Coursing Ability (CA) title will be awarded for dogs that pass the Coursing Ability Test the required number of times (three times under at least two different judges). This suffix title will appear on a dog's pedigree with a higher-level title superseding a lower-level title.

RIBBON PRIZES

An orange flat ribbon will be awarded for each qualifying run
New title rosettes will be available

DIRECTIONS TO SHOW SITE: Take I-55/I-70 to I-270. Go south (Memphis) on I-270 to I-44 West to Gray Summit Exit (Hwy 100 E. Exit 253). Go North on Hwy.100 E (approx. ½ mile) to Hwy MM, turn left on Hwy. MM, Take Hwy MM to show site on left.



MOTELS

| | |
|--|---------------------|
| Comfort Inn | 636-257-4600 |
| 1320 Thornton Street, (I 44 exit 257) Pacific, Missouri 63069 | |
| Quality Inn | 636-257-8400 |
| 1400 W. Osage Street, (I 44 exit 257), Pacific, Missouri 63069 | |
| Super 8 | 636-938-4368 |
| 1733 W. 5 th , Eureka, Missouri 63025 | |
| Econo Lodge | 636-938-5348 |
| 1725 W. 5 TH , Eureka, Missouri 63025 | |
| Drury Inn | 636-861-8300 |
| I 44 & Hwy. 141, Fenton, Missouri 63088 | |
| Hampton Inn | 636-529-9020 |
| 9 Lambert Drury Place, Fenton, Missouri 63088 | |
| Holiday Inn Six Flags | 636-938-6661 |
| 4901 Six Flags Road, Eureka MO 63025 | |
| Budget Lodging | 636-629-1000 |
| 866 South Outer Road, St. Clair, Missouri 63077 | |

Please check with each motel to make sure they accept pets or if they have a pet fee.

VETERINARIAN

Will be on call (24 hours a day) for both days

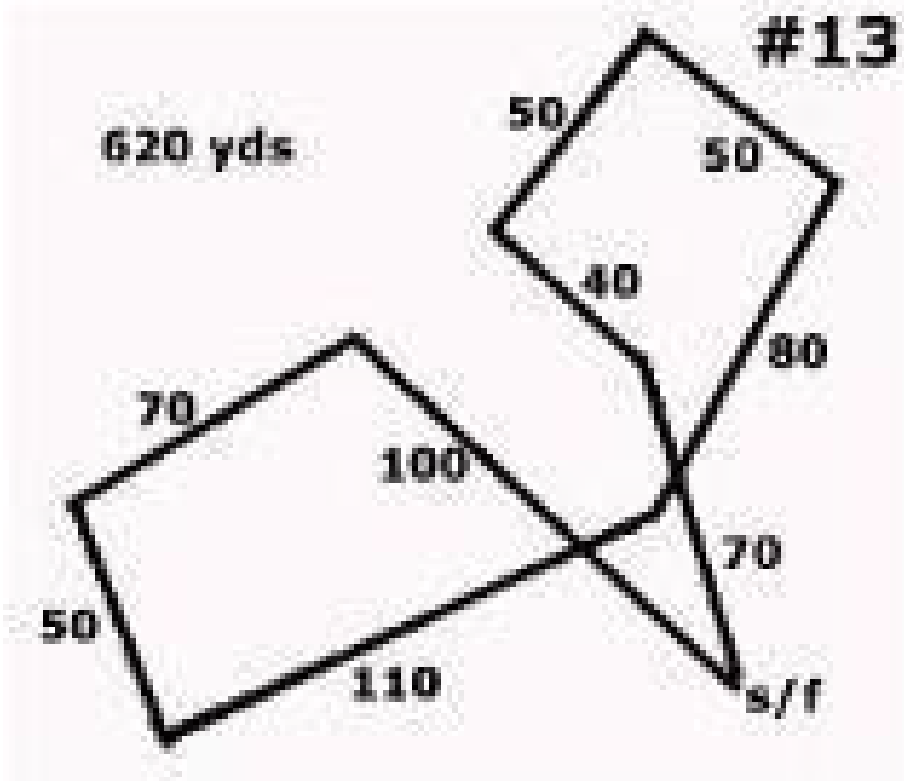
Washington Veterinary Clinic

5585 Hwy 100

Washington, Missouri 63090

Phone: 636-239-5445

DIRECTIONS: Take I-44 west to Hwy. 100 (exit 251) go right (west) to just past East 5th St. (approx. 8 miles) (E 5th St is the first traffic light in Washington – has a Sleep Inn near the corner) Proceed to the next traffic light at Brookview Drive. Turn right on Brookview and then do an immediate right into vet clinic driveway.



COURSE A

Course A will be used Wednesday morning and reversed for Wednesday afternoon

OFFICIAL AMERICAN KENNEL CLUB COURSING ABILITY TEST ENTRY FORM

Entries close October 10, 2018 NO DAY OF TEST ENTRIES TAKEN

Entry fees: \$20.00 Make checks payable to: GSDCA US FUNDS ONLY

Mail to: Judy McDowell Event Secretary 421 North Stone Street Centralia MO 65240

prairiehome@centurylink.net

| | |
|---|--|
| Club: <div style="text-align: center; font-weight: bold; font-size: 1.2em;">GSDCA</div> | Date(s): (please check dates entered) <input type="checkbox"/> Wed Oct 17, 2018 AM test #2018009321 <input type="checkbox"/> Wed Oct 17, 2018 PM test #2018009322 <input type="checkbox"/> Thurs Oct 18, 2018 #2018009323 |
| Location: Purina Farms Herding Field, Gray Summit MO | I enclose entry fees in the amount of: \$ |
| Course: (circle) ----- 300 ----- 600 ----- 400 (+7 yr/veteran) ----- 200 (+7 yr/veteran) | Call Name: |
| Full Name of Dog: | |
| Breed: | Reg. #: |
| AKC NO. | AKC LITTER NO. |
| ILP NO. | FSS NO. |
| FOREIGN NO. | LIST COUNTRY: _____ |
| Sire: | |
| Dam: | |
| Actual Owner(s): | |
| Owner's Address: | |
| City: | State: |
| Zip: | |
| Name of Owner's Agent/Handler: | |
| Agent/Handler's Address: | |
| City: | State: |
| Zip: | |
| AKC Rules, Regulations, Policies and Guidelines are available on the American Kennel Club website: www.akc.org | |
| AGREEMENT | |
| <p>I (we) agree that the club holding this event has the right to refuse this entry for cause which the club shall deem sufficient. In consideration of the acceptance of this entry and of the holding of this event and of the opportunity to have the dog judged and to win prizes, ribbons, or trophies, I (we) agree to hold the AKC, the event-giving club, their members, directors, governors, officers, agents, superintendents or event secretary and the owner and/or lessor of the premises and any provider of services that are necessary to hold this event and any employees or volunteers of the aforementioned parties, and any AKC approved judge, judging at this event, harmless from any claim for loss or injury which may be alleged to have been caused directly or indirectly to any person or thing by the act of this dog while in or about the event premises or grounds or near any entrance thereto, and I (we) personally assume all responsibility and liability for any such claim; and I (we) further agree to hold the aforementioned parties harmless from any claim for loss, injury or damage to this dog.</p> <p>Additionally, I (we) hereby assume the sole responsibility for and agree to indemnify, defend and save the aforementioned parties harmless from any and all loss and expense (including legal fees) by reason of the liability imposed by law upon any of the aforementioned parties for damage because of bodily injuries, including death at any time resulting there from, sustained by any person or persons, including myself (ourselves), or on account of damage to property, arising out of or in consequence of my (our) participation in this event, however such, injuries, death or property damage may be caused, and whether or not the same may have been caused or may be alleged to have been caused by the negligence of the aforementioned parties or any of their employees, agents, or any other persons. I (WE) AGREE THAT ANY CAUSE OF ACTION, CONTROVERSY OR CLAIM ARISING OUT OF OR RELATED TO THE ENTRY, EXHIBITION OR ATTENDANCE AT THE EVENT BETWEEN THE AKC AND MYSELF (OURSELVES) OR AS TO THE CONSTRUCTION, INTERPRETATION AND EFFECT OF THIS AGREEMENT SHALL BE SETTLED BY ARBITRATION PURSUANT TO THE APPLICABLE RULES OF THE AMERICAN ARBITRATION ASSOCIATION. HOWEVER, PRIOR TO ARBITRATION ALL APPLICABLE AKC BYLAWS, RULES, REGULATIONS AND PROCEDURES MUST FIRST BE FOLLOWED AS SET FORTH IN THE AKC CHARTER AND BYLAWS, RULES, REGULATIONS, PUBLISHED POLICIES AND GUIDELINES.</p> | |
| Signature of owner or his agent duly authorized to make this entry: _____ | |
| Phone: | Email address: |